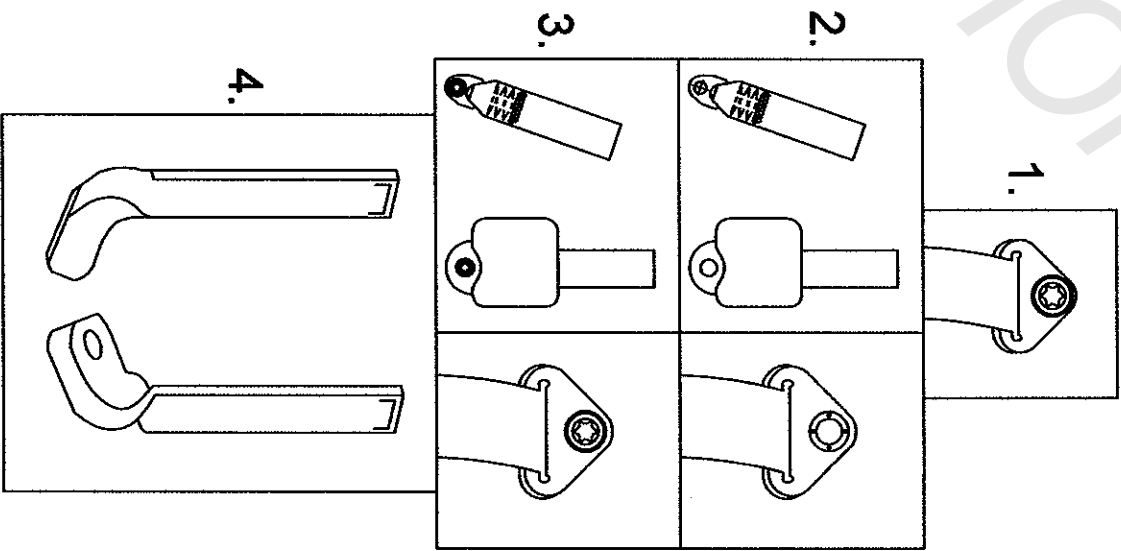


FRONT SEAT BELT INSTALLATION FOR JEEP WRANGLER 1982-1991  
Technical Support 1-866-904-BELT (2358)

1. Remove black cap from roll bar anchor with screw driver.
2. Remove the Three bolts using a trox socket.
3. Reinstall new belt set using same 3 bolts with loctite and replace black cap
4. Remove bolt from Buckle sleeve boot
- A) Remove Staple from center of boot
- B) Pull buckle out of sleeve
- C) Use a metal coat hanger to make a hook at the end and Pull the new buckle back in place and reinstall.



15835 Corporate Road N  
Jupiter FL. 33478